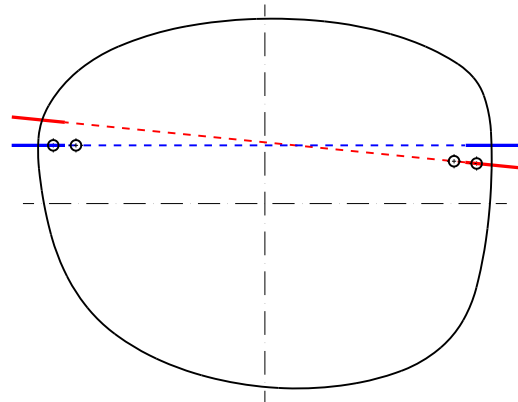
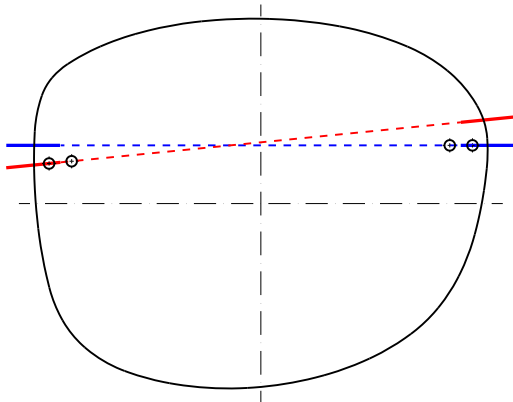
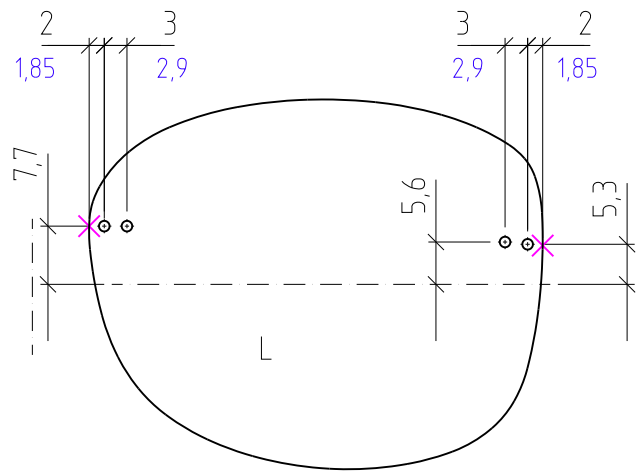
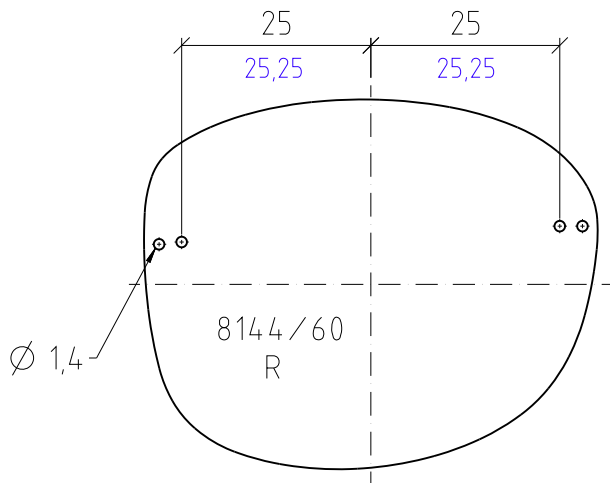
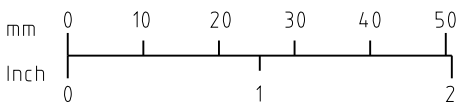


8 base

Silhouette®



Attention :

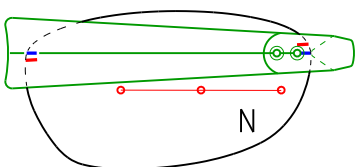


Please check length

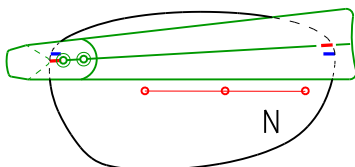
× = Reference Point

INSTRUCTIONS

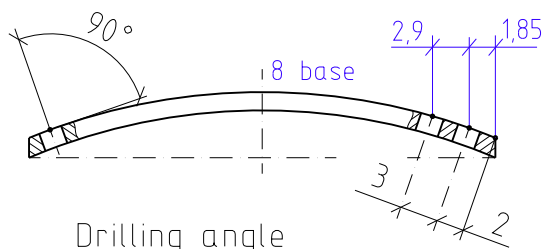
corrected measurement for drill-edges



Drilling Jig affixed NASAL



Drilling Jig affixed TEMPORAL



Drilling angle