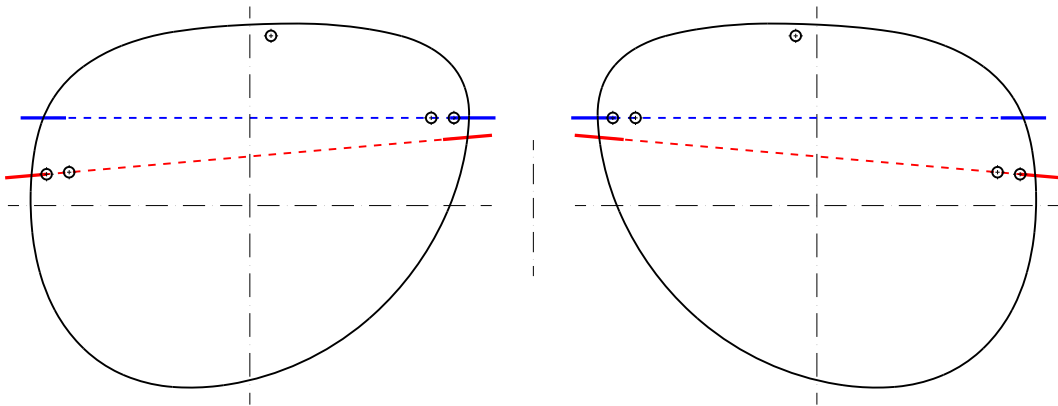
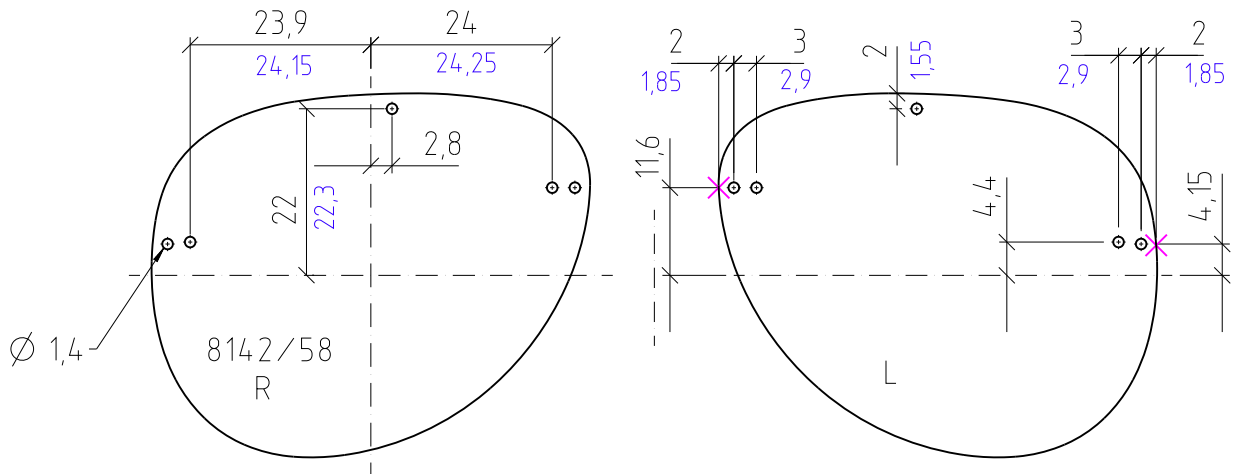
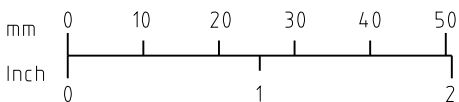


8 base

Silhouette®



Attention :

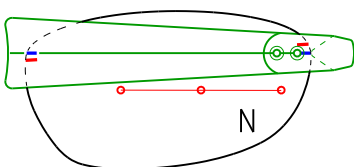


Please check length

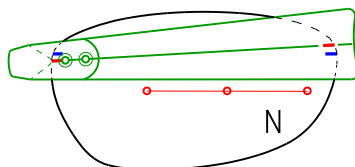
× = Reference Point

corrected measurement for drill-edges

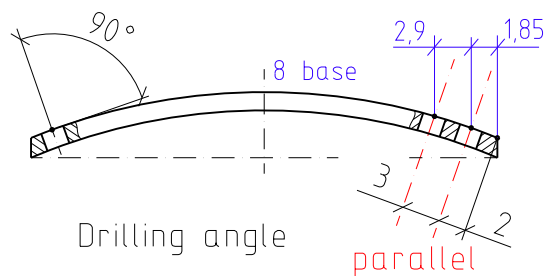
INSTRUCTIONS



Drilling Jig affixed NASAL



Drilling Jig affixed TEMPORAL



Drilling angle