

Silhouette®

AUTHENTIC EYEWEAR. SINCE 1964.

Mod. 8682



SILHOUETTE  
TITAN PROFILE



Property of Silhouette / © Silhouette

[www.silhouette.com](http://www.silhouette.com)

K 8682 00 0000 0000

**SILHOUETTE  
TITAN PROFILE  
Mod. 8682**

**SILHOUETTE  
TITAN PROFILE  
Mod. 8682**

**10 POL** /40-6200  
POL GREY  
metal parts black matte,  
hinge cylinder black,  
temple ends black with red



**10 POL** /40-6201  
POL BROWN  
metal parts dark brown matte,  
hinge cylinder brown,  
temple ends brown with orange



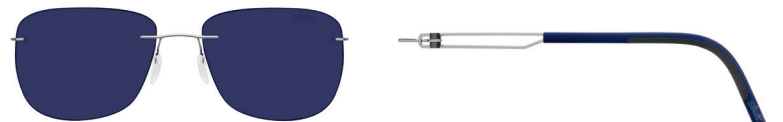
/40-6203  
GREY  
metal parts black matte,  
hinge cylinder black,  
temple ends black with red



/60-6224  
COBALT BLUE  
metal parts ruthenium shiny,  
hinge cylinder black,  
temple ends dark blue with black



**10 POL** /60-6231  
POL COBALT BLUE  
metal parts ruthenium shiny,  
hinge cylinder black  
temple ends dark blue with black



**Kastensystem / boxing system**

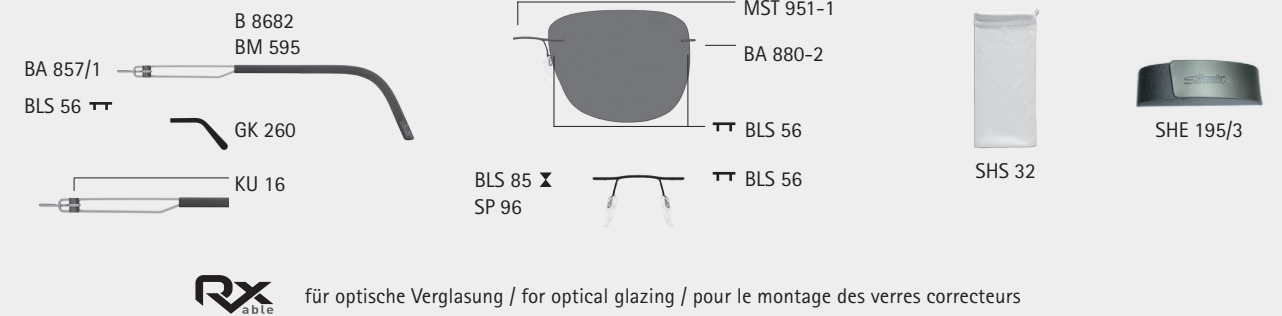
	mm	62 x 46 (24,04 cm²)
	mm	70
	mm	17
	mm	130
	°	25

Metallfassung aus High-Tech Titan  
Gläser: Polycarbonat  
Wölbung: Base 8  
100 % UV A-, B-, C-Schutz

Metall frame made of High-Tech Titanium  
Lenses: polycarbonate  
Curving: base 8  
100 % UV A-, B-, C-protection

Monture en métal fabriqués en High-Tech Titanium  
Verres: polycarbonate  
Courbure: base 8  
Protection de 100 % de UV A, B, C

**Ersatzteile / spare parts / pièces de rechange**



für optische Verglasung / for optical glazing / pour le montage des verres correcteurs



TT BLS 44  
TT BLS 58

technische Änderungen und Druckfehler vorbehalten  
specifications are subject to change without notice, no liability will be assumed for misprints  
sous réserve de modifications techniques et d'erreurs d'impression