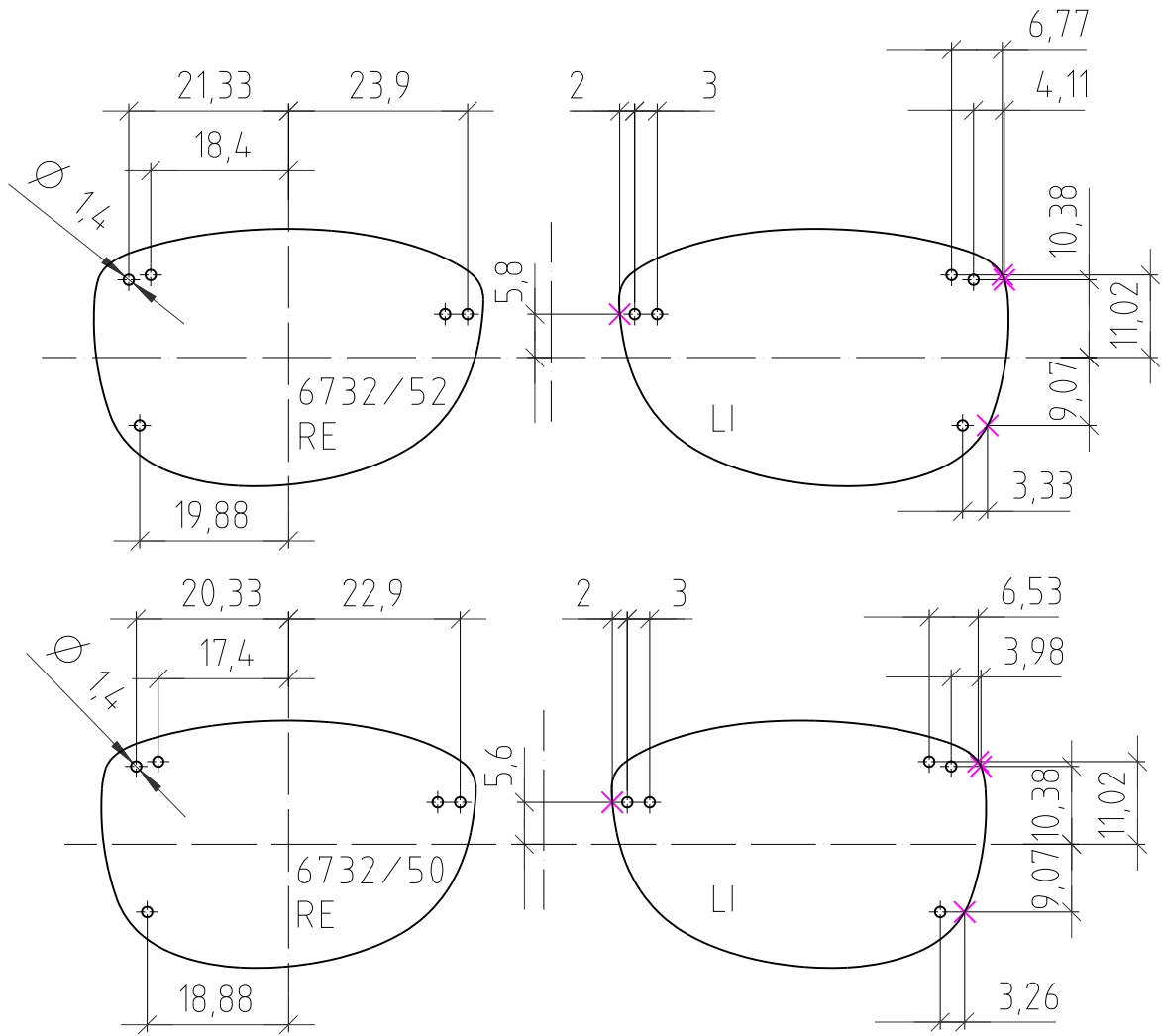


# Silhouette®

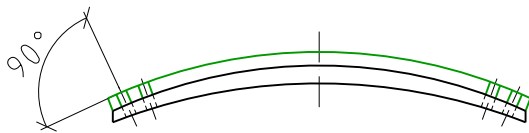


Attention :



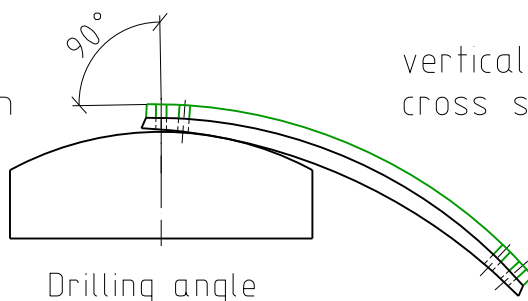
Please check length

## INSTRUCTIONS



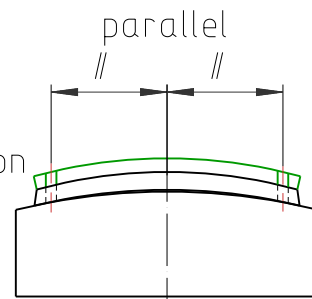
Affixed drilling Jig

horizontal cross section



Drilling angle

vertical cross section



Drilling angle