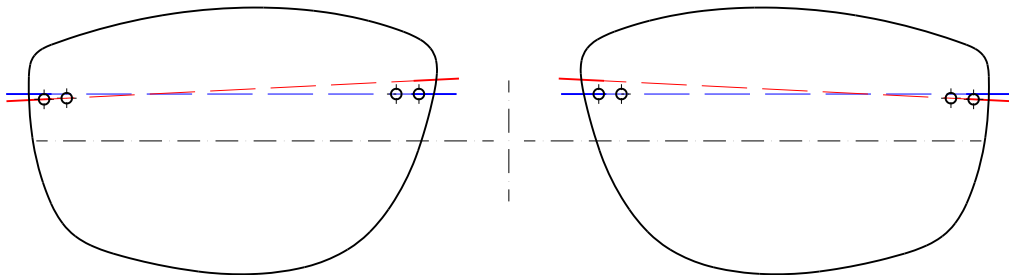
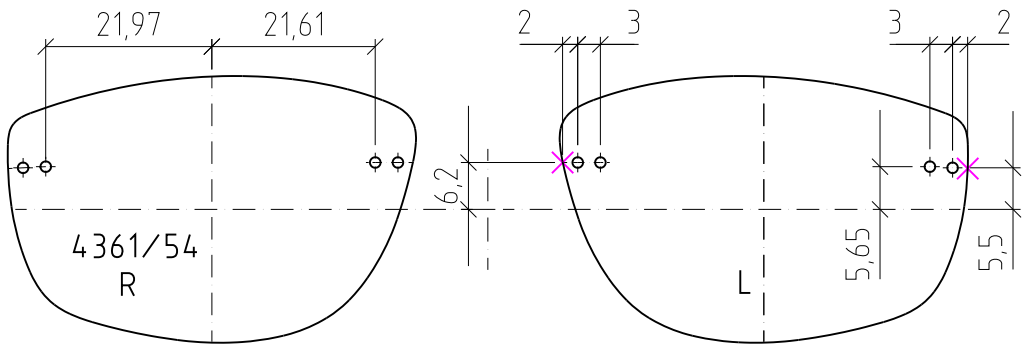
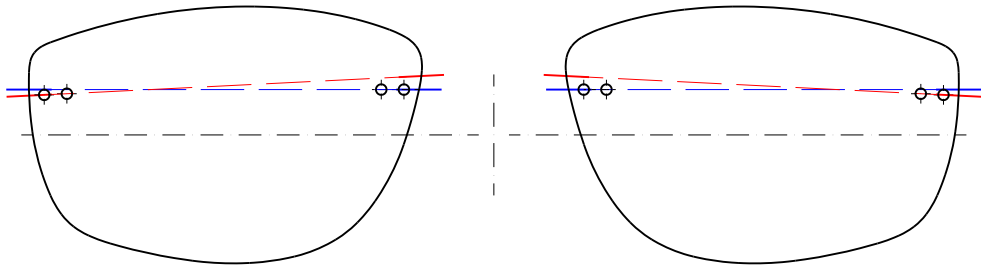
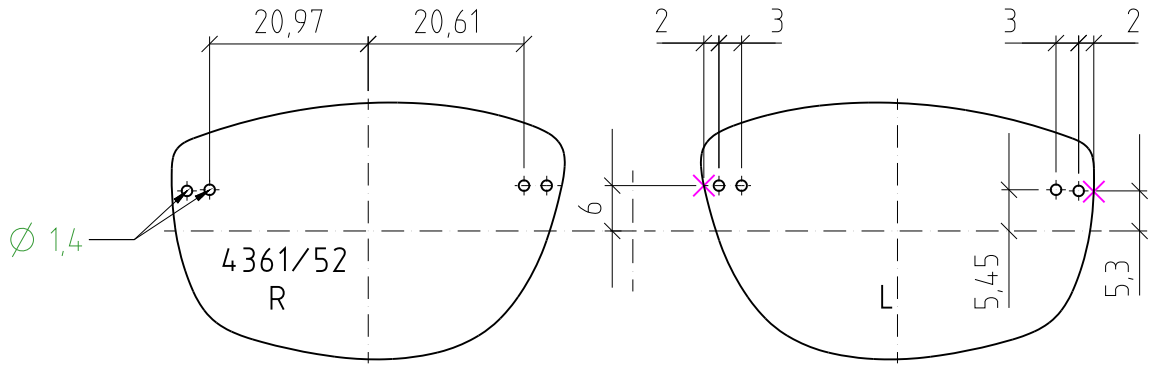
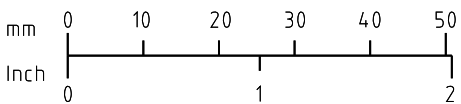


# Silhouette®



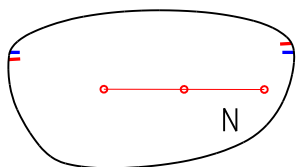
**Attention :**



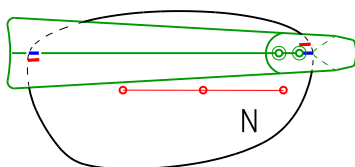
Please check length

× = Reference Point

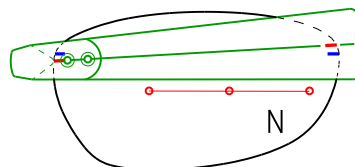
**INSTRUCTIONS**



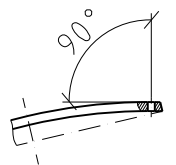
Marked Lens



Drilling Jig affixed NASAL



Drilling Jig affixed TEMPORAL



Drilling angle