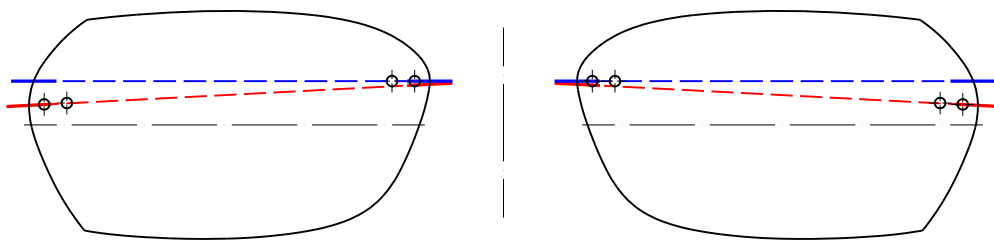
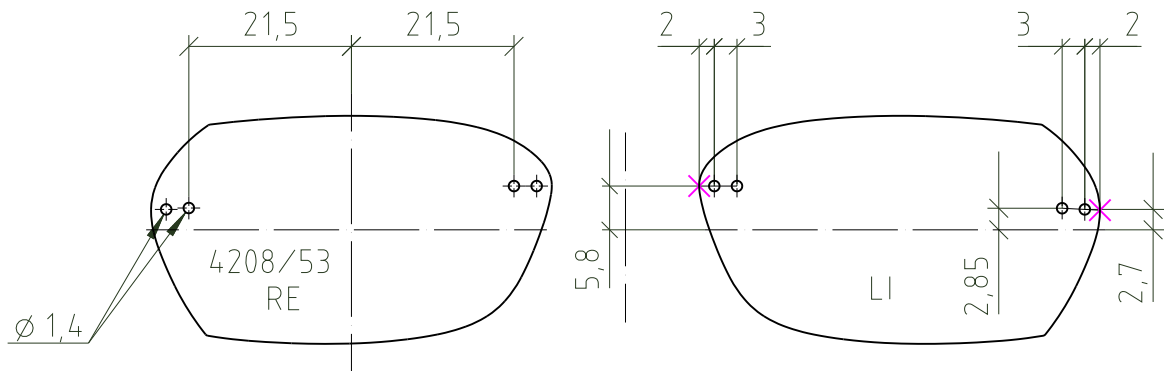
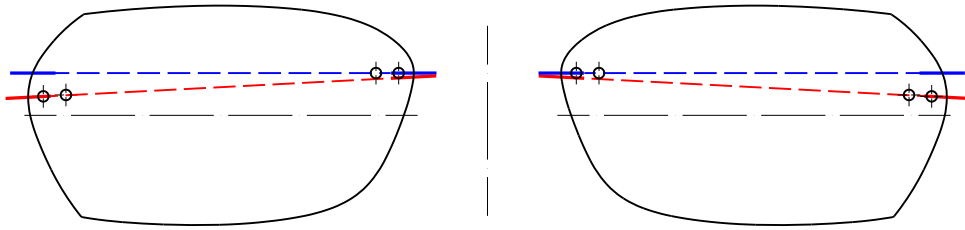
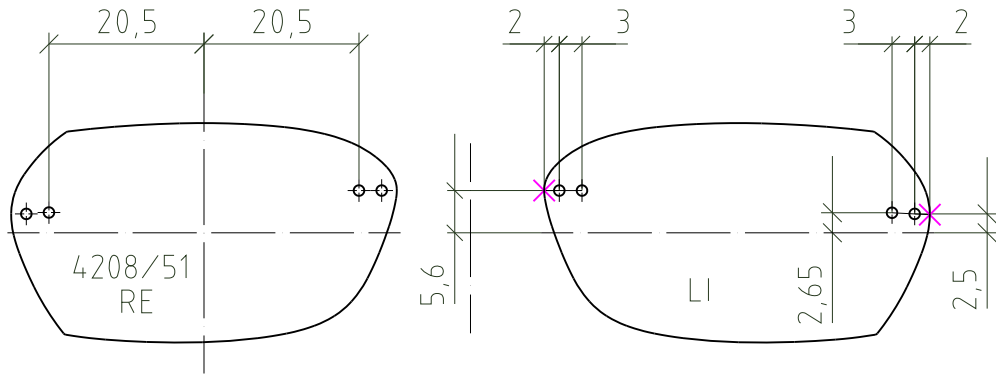
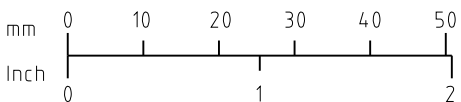


# Silhouette®



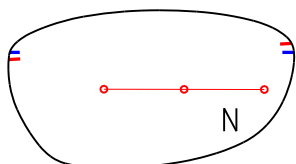
Attention :



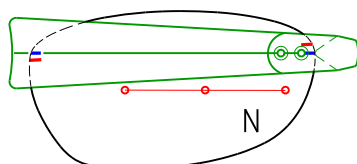
Please check length

X = Reference Point

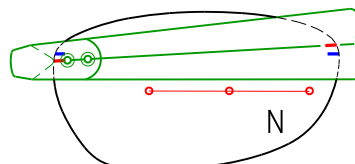
## INSTRUCTIONS



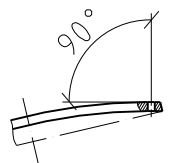
Marked Lens



Drilling Jig  
affixed NASAL



Drilling Jig  
affixed TEMPORAL



Drilling angle